

# Metric Spacers

SPACERS

## Clearance Spacers

- Standard lengths available from 3 to 30mm.
- Brass spacers: base material is free-machining brass, with nickel plating.
- Aluminium spacers: supplied with a clear passivation finish to prevent oxidation.
- Plastic material: Nylon 66 UL94V-2.



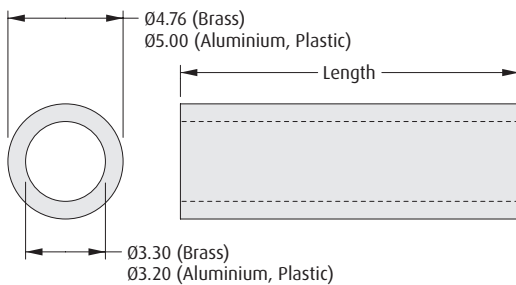
### CLEARANCE FOR M3 THREAD

#### Materials

Base material: Brass, Aluminium or Plastic

Finish

Brass: Nickel  
 Aluminium: Clear Passivate



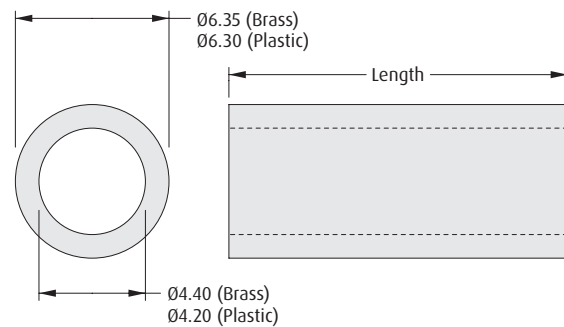
### CLEARANCE FOR M4 THREAD

#### Materials

Base material: Brass or Plastic

Finish

Brass: Nickel



### HOW TO ORDER

**R30 - 6 XX XX XX**

#### SERIES CODE

#### MATERIAL

01	Brass
20	Aluminium
70	Plastic

#### LENGTH (mm)

03 to 16, 18, 20, 25, 30	Brass, Aluminium
03 to 16, 18, 20, 25	Plastic

#### FINISH

02	Nickel (Brass only)
14	Passivation (Aluminium only)
94	White (Plastic only)

### HOW TO ORDER

**R40 - 6 XX XX XX**

#### SERIES CODE

#### MATERIAL

00	Brass
71	Plastic

#### LENGTH (mm)

03 to 16, 18, 20, 25, 30	Brass
03, 05 to 08, 10 to 12, 15, 18	Plastic

#### FINISH

02	Nickel (Brass only)
94	White (Plastic only)

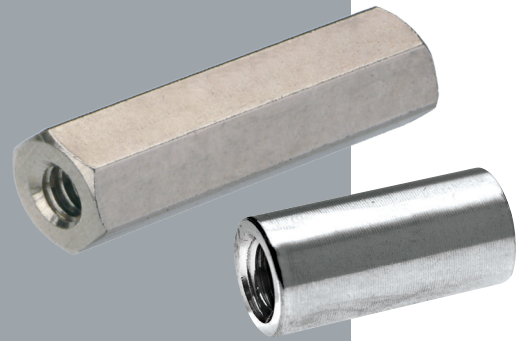
All dimensions in mm.

# Metric Spacers

SPACERS

## Threaded Female Spacers

- Available in a variety of standard body lengths.
- Brass spacers: base material is free-machining brass, with nickel plating.
- Plastic material: Nylon 66 UL94V-2.
- Longer thread lengths may not be threaded through the complete length, but have female threads at both ends.



HEXAGONAL	CIRCULAR
<p><b>Materials</b></p> <p>Base material: Brass or Plastic</p> <p>Finish: Nickel</p> <p>Brass: Nickel</p>	<p><b>Materials</b></p> <p>Base material: Brass</p> <p>Finish: Nickel</p> <p>Brass: Nickel</p>

### HOW TO ORDER

**RXX - XXX XX XX**

SERIES CODE	
<b>R25-100</b>	Hexagonal, Brass, M2.5 Thread
<b>R30-100</b>	Hexagonal, Brass, M3 Thread
<b>R30-101</b>	Hexagonal, Brass, M3 Thread
<b>R30-161</b>	Hexagonal, Plastic, M3 Thread
<b>R30-500</b>	Circular, Brass, M3 Thread
<b>R40-100</b>	Hexagonal, Brass, M4 Thread

FINISH	
<b>00</b>	White (Plastic only)
<b>02</b>	Nickel (Brass only)

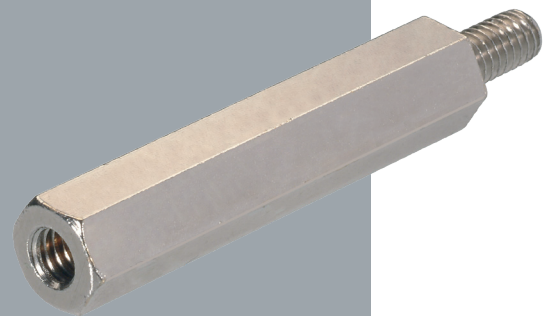
LENGTH (mm)	
<b>06 to 16, 18, 20, 25</b>	R30-161, R40-100
<b>04 to 16, 18, 20, 25</b>	Other

All dimensions in mm.

# Metric Spacers

## Threaded Male Pillars

- Available in a choice of thread sizes, with a variety of standard body lengths.
- Base material is free-machining Brass, with nickel plating.



MALE/MALE		MALE/FEMALE																																																																																																																																						
<b>HOW TO ORDER</b>																																																																																																																																								
<b>R30 - 400 XX 02</b>																																																																																																																																								
<b>SERIES CODE</b> R30 - 400		<b>FINISH</b> 02 Nickel																																																																																																																																						
<b>LENGTH (mm)</b> 04 to 16, 18, 20, 25, 30, 35, 40																																																																																																																																								
<b>HOW TO ORDER</b>																																																																																																																																								
		<b>RXX - 30X XX 02</b>																																																																																																																																						
<table border="1"> <thead> <tr> <th colspan="2">SERIES CODE</th> </tr> </thead> <tbody> <tr> <td>R25-300</td> <td>M2.5 Thread</td> </tr> <tr> <td>R30-300</td> <td>M3 Thread, 6mm Stud</td> </tr> <tr> <td>R30-301</td> <td>M3 Thread, 8mm Stud</td> </tr> <tr> <td>R40-300</td> <td>M4 Thread</td> </tr> </tbody> </table>		SERIES CODE		R25-300	M2.5 Thread	R30-300	M3 Thread, 6mm Stud	R30-301	M3 Thread, 8mm Stud	R40-300	M4 Thread	<table border="1"> <thead> <tr> <th colspan="2">FINISH</th> </tr> </thead> <tbody> <tr> <td>02</td> <td>Nickel</td> </tr> </tbody> </table>		FINISH		02	Nickel																																																																																																																							
SERIES CODE																																																																																																																																								
R25-300	M2.5 Thread																																																																																																																																							
R30-300	M3 Thread, 6mm Stud																																																																																																																																							
R30-301	M3 Thread, 8mm Stud																																																																																																																																							
R40-300	M4 Thread																																																																																																																																							
FINISH																																																																																																																																								
02	Nickel																																																																																																																																							
<table border="1"> <thead> <tr> <th colspan="2"></th> <th colspan="16">LENGTH (mm)</th> <th colspan="2"></th> </tr> <tr> <th colspan="2"></th> <th>03</th><th>04</th><th>05</th><th>06</th><th>07</th><th>08</th><th>09</th><th>10</th><th>11</th><th>12</th><th>13</th><th>14</th><th>15</th><th>16</th><th>18</th><th>20</th><th>25</th><th>30</th><th>35</th><th>40</th> <th colspan="2"></th> </tr> </thead> <tbody> <tr> <th rowspan="4">THREAD LENGTH</th> <td>1.9</td> <td>2.5</td><td>2.5</td><td>3.5</td><td>4.5</td><td>5.0</td><td>5.0</td><td>5.0</td><td>5.0</td><td>5.0</td><td>5.0</td><td>5.0</td><td>5.0</td><td>5.0</td><td>5.0</td><td>5.0</td><td>5.0</td><td>6.0</td><td>6.0</td><td>6.0</td><td>6.0</td><td>R25-300</td> </tr> <tr> <td>X</td> <td>2.0</td><td>2.5</td><td>3.0</td><td>4.5</td><td>5.5</td><td>6.0</td><td>6.0</td><td>6.0</td><td>6.0</td><td>6.0</td><td>6.0</td><td>6.0</td><td>6.0</td><td>6.0</td><td>6.0</td><td>6.0</td><td>6.0</td><td>6.0</td><td>6.0</td><td>6.0</td><td>R30-300</td> </tr> <tr> <td>X</td> <td>2.5</td><td>3.0</td><td>4.0</td><td>5.0</td><td>5.0</td><td>5.0</td><td>5.0</td><td>8.0</td><td>8.0</td><td>8.0</td><td>8.0</td><td>8.0</td><td>8.0</td><td>8.0</td><td>8.0</td><td>8.0</td><td>X</td><td>X</td><td>X</td><td>X</td><td>R30-301</td> </tr> <tr> <td>X</td> <td>X</td><td>X</td><td>2.5</td><td>3.5</td><td>4.5</td><td>5.5</td><td>6.5</td><td>8.0</td><td>8.0</td><td>8.0</td><td>8.0</td><td>8.0</td><td>8.0</td><td>8.0</td><td>8.0</td><td>8.0</td><td>8.0</td><td>8.0</td><td>8.0</td><td>X</td><td>R40-300</td> </tr> </tbody> </table>						LENGTH (mm)																				03	04	05	06	07	08	09	10	11	12	13	14	15	16	18	20	25	30	35	40			THREAD LENGTH	1.9	2.5	2.5	3.5	4.5	5.0	5.0	5.0	5.0	5.0	5.0	5.0	5.0	5.0	5.0	5.0	5.0	6.0	6.0	6.0	6.0	R25-300	X	2.0	2.5	3.0	4.5	5.5	6.0	6.0	6.0	6.0	6.0	6.0	6.0	6.0	6.0	6.0	6.0	6.0	6.0	6.0	6.0	R30-300	X	2.5	3.0	4.0	5.0	5.0	5.0	5.0	8.0	8.0	8.0	8.0	8.0	8.0	8.0	8.0	8.0	X	X	X	X	R30-301	X	X	X	2.5	3.5	4.5	5.5	6.5	8.0	8.0	8.0	8.0	8.0	8.0	8.0	8.0	8.0	8.0	8.0	8.0	X	R40-300
		LENGTH (mm)																																																																																																																																						
		03	04	05	06	07	08	09	10	11	12	13	14	15	16	18	20	25	30	35	40																																																																																																																			
THREAD LENGTH	1.9	2.5	2.5	3.5	4.5	5.0	5.0	5.0	5.0	5.0	5.0	5.0	5.0	5.0	5.0	5.0	5.0	6.0	6.0	6.0	6.0	R25-300																																																																																																																		
	X	2.0	2.5	3.0	4.5	5.5	6.0	6.0	6.0	6.0	6.0	6.0	6.0	6.0	6.0	6.0	6.0	6.0	6.0	6.0	6.0	R30-300																																																																																																																		
	X	2.5	3.0	4.0	5.0	5.0	5.0	5.0	8.0	8.0	8.0	8.0	8.0	8.0	8.0	8.0	8.0	X	X	X	X	R30-301																																																																																																																		
	X	X	X	2.5	3.5	4.5	5.5	6.5	8.0	8.0	8.0	8.0	8.0	8.0	8.0	8.0	8.0	8.0	8.0	8.0	X	R40-300																																																																																																																		

All dimensions in mm.