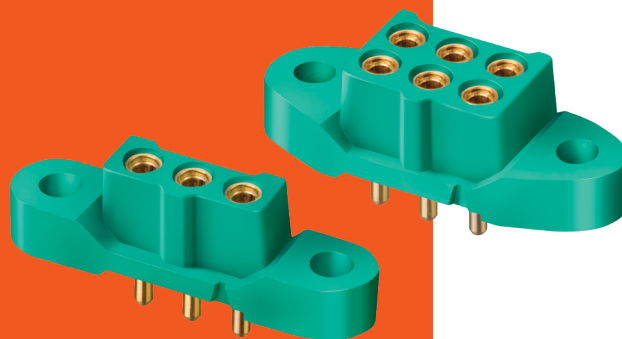


# M300 Connectors - PCB Mount

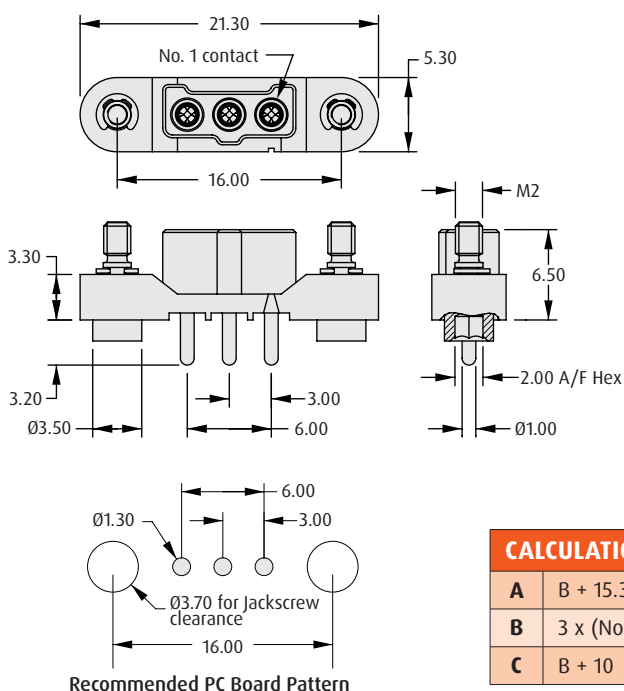
## Female PC Tail

- ❖ 4-finger Beryllium Copper contact.
- ❖ Positive keyway polarisation features.
- ❖ 10A current capacity, resists high vibration and shock.
- ❖ Withstands extremes of temperature: -65°C to +175°C.
- ❖ Scoop-proof contacts.
- ❖ No. 1 position ident on housing.

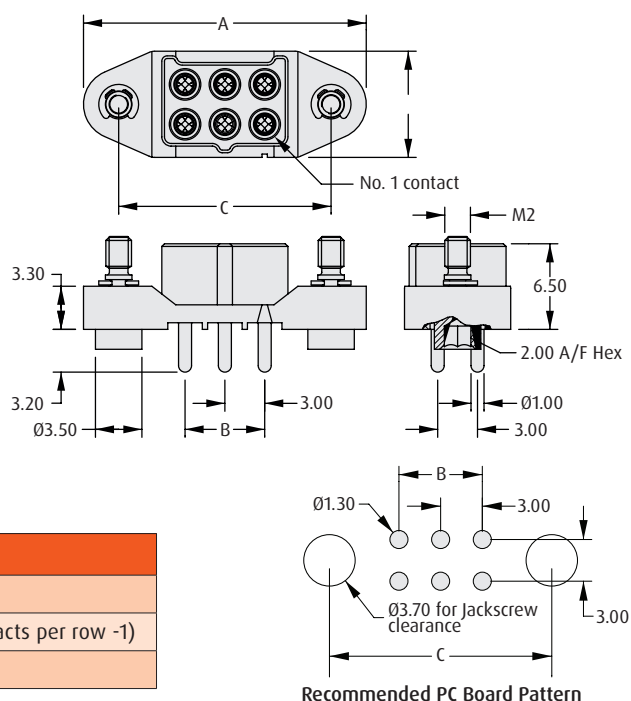


M300

### SINGLE ROW



### DOUBLE ROW



#### CALCULATION

<b>A</b>	$B + 15.3$
<b>B</b>	$3 \times (\text{No. of contacts per row} - 1)$
<b>C</b>	$B + 10$

### HOW TO ORDER

**M300 - F VX XX 45 XX**

#### SERIES CODE

#### GENDER

**F** Female

#### TYPE

**V1** Single Row  
**V3** Double Row

#### TYPE

**00** No Jackscrew  
**F2** Hex Socket Jackscrew

#### FINISH

**45** Gold

#### TOTAL NO. OF CONTACTS

**03** Single Row  
**06, 10** Double Row

All dimensions in mm.

# M300 Connectors

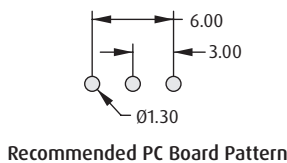
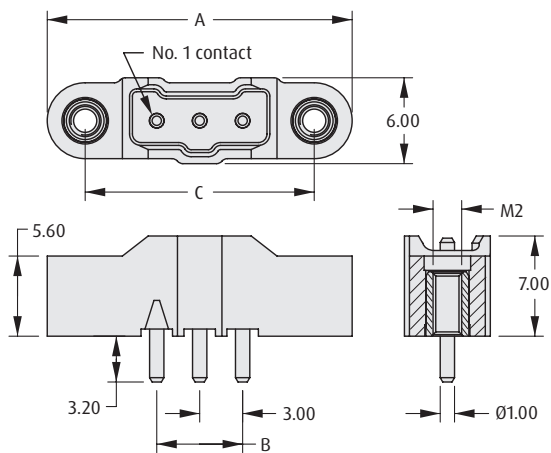
## Male PC Tail

- 10A current capacity, resists high vibration and shock.
- Withstands extremes of temperature: -65°C to +175°C.

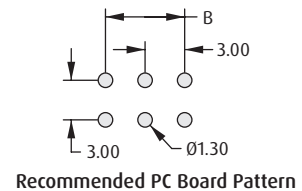
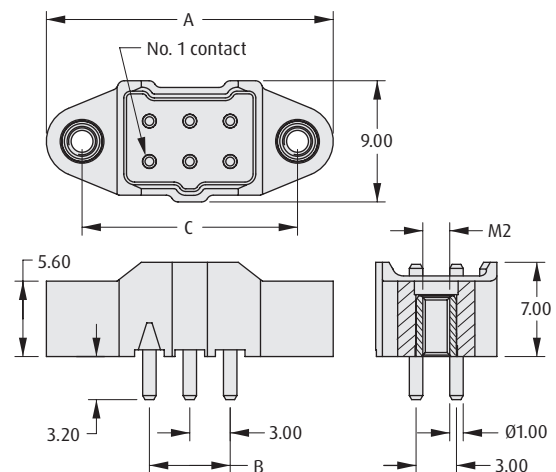


M300

### SINGLE ROW



### DOUBLE ROW



CALCULATION	
<b>A</b>	$B + 15.3$
<b>B</b>	$3 \times (\text{No. of contacts per row} - 1)$
<b>C</b>	$B + 10$

### HOW TO ORDER

**M300 - M VX XX 45 M1**

<b>SERIES CODE</b>	M300	<b>TYPE</b>	M1 Jackscrew
<b>GENDER</b>	M Male	<b>FINISH</b>	45 Gold
<b>TYPE</b>	V1 Single Row V3 Double Row	<b>TOTAL NO. OF CONTACTS</b>	03 Single Row 06, 10 Double Row

All dimensions in mm.