

# Customer Information Sheet

DRAWING No.: G125-204XX96L0

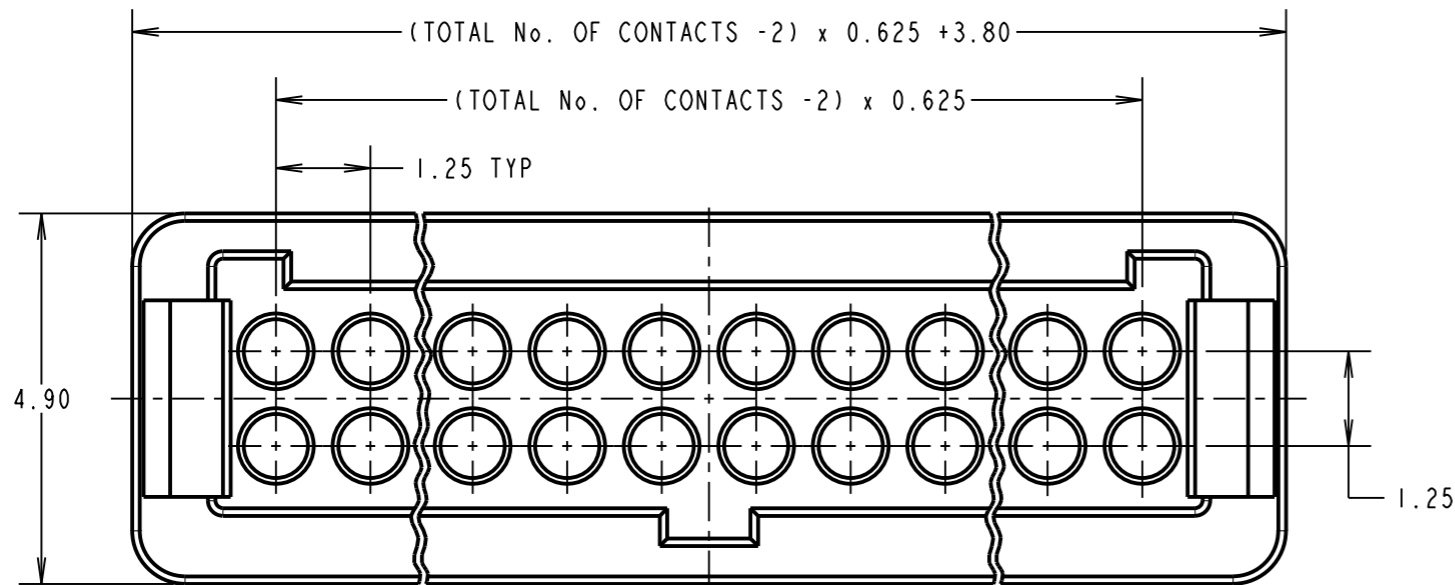
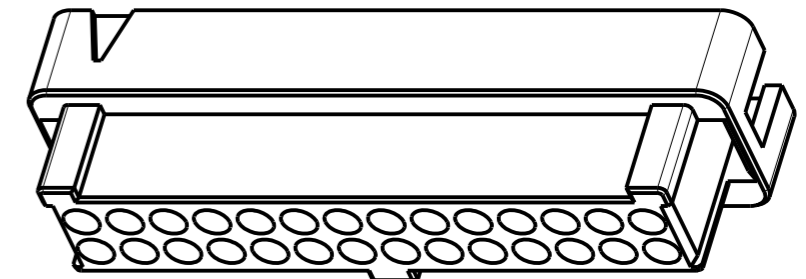
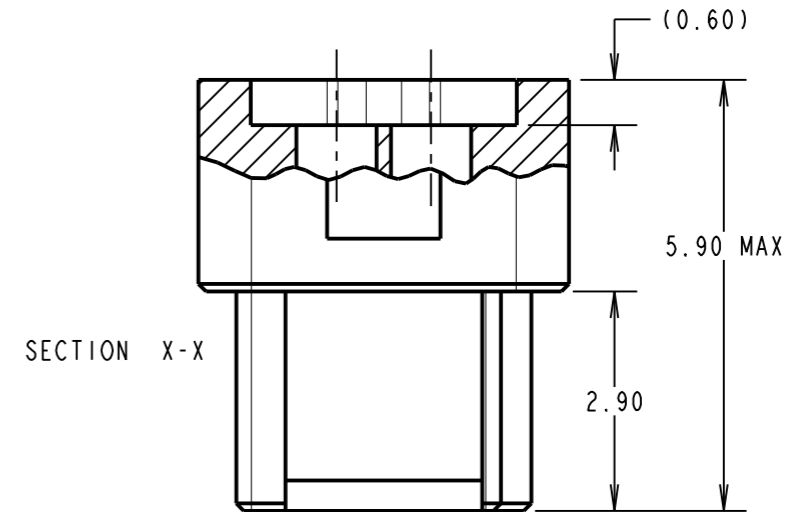
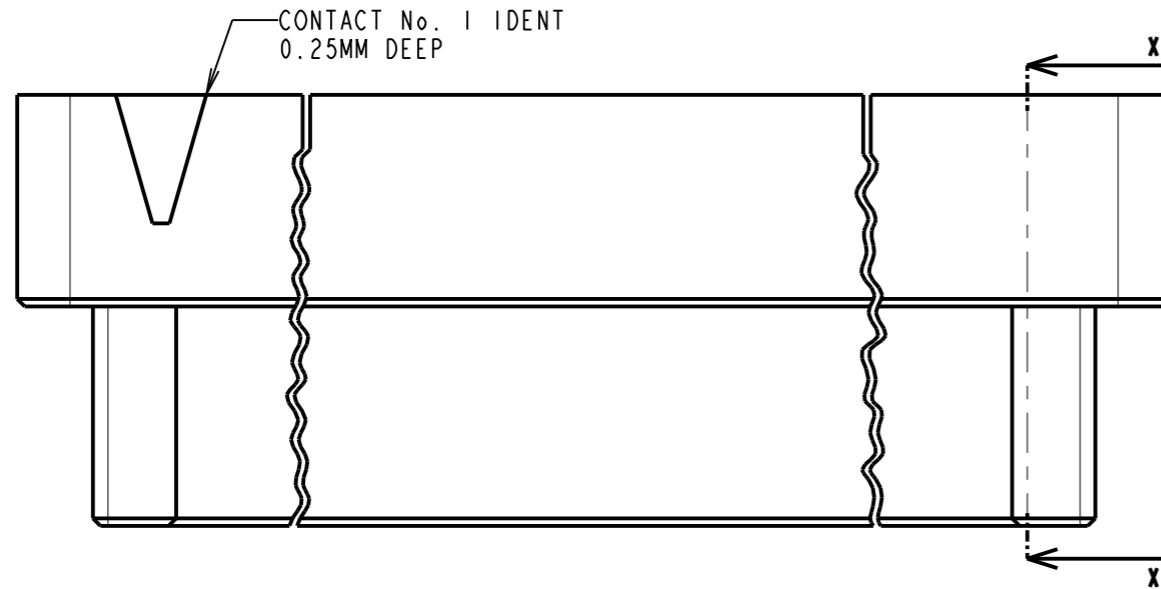
IF IN DOUBT - ASK

©

NOT TO SCALE

THIRD ANGLE PROJECTION

ALL DIMENSIONS IN mm



**Clarke & Severn Electronics**  
 PH: 02 9482 1944  
[sales@clarke.com.au](mailto:sales@clarke.com.au)  
[www.cseonline.com.au](http://www.cseonline.com.au)



PATENT PENDING - UK 1205109.0

- NOTES:
1. PACK SIZE: 10 PER BAG.
  2. MOULDING TO BE USED WITH G125-0010005 AND G125-0020005 FEMALE CRIMP CONTACTS.
  3. FOR ASSEMBLY INSTRUCTIONS SEE INSTRUCTION SHEET IS-38.

SF	1	21.07.14	12538
NAME	ISS.	DATE	C/NOTE
APPROVED:		S.FLOWER	
CHECKED:		M.PLESTED	
DRAWN:		S.FLOWER	
CUSTOMER REF.:			
ASSEMBLY DRG:			

PRODUCT CODE:  
**G125-204XX96L0**  
 TOTAL No. OF CONTACTS  
 06, 10, 12, 16, 20, 26, 34, 50.

**HARWIN**

[www.harwin.com](http://www.harwin.com)  
[technical@harwin.com](mailto:technical@harwin.com)

THIS DRAWING AND ANY INFORMATION OR DESCRIPTIVE MATTER SET OUT HEREON ARE CONFIDENTIAL AND COPYRIGHT PROPERTY OF THE HARWIN GROUP AND MUST NOT BE DISCLOSED, LOANED, COPIED OR USED FOR MANUFACTURING, TENDERING OR FOR ANY OTHER PURPOSE WITHOUT THEIR WRITTEN PERMISSION.

TOLERANCES  
 X. = ±1mm  
 X.X = ±0.25mm  
 X.XX = ±0.10mm  
 X.XXX = ±0.01mm  
 ANGLES = ±5°  
 UNLESS STATED

MATERIAL:  
 SEE SHEET 3  
 FINISH: GREEN  
 S/AREA: mm<sup>2</sup>

TITLE: G125 SERIES  
 FEMALE CRIMP MOULDING  
 WITH POTTING WALL  
 DRAWING NUMBER:  
**G125-204XX96L0**

SHT  
 2 OF 3

# Customer Information Sheet

DRAWING No.: G125-SERIES COMPONENT SPECIFICATION

IF IN DOUBT - ASK

©

NOT TO SCALE

THIRD ANGLE PROJECTION

ALL DIMENSIONS IN mm

**SPECIFICATIONS:**

- \* EIA-364-01A : 2000: ACCELERATION: 490 mm/s<sup>2</sup> (50G)
- \* BUMP SEVERITY: 390 mm/s<sup>2</sup> (40G), 4000± 10 BUMPS
- \* TESTED WITH LATCHED CONNECTORS

**MATERIALS:**

MOULDING, PICK & PLACE CAP:  
POLYAMIDE, PA4T-GF30 FR(40) UL94V-0,  
HALOGEN FREE, FREE OF RED PHOSPHORUS

**ELECTRICAL:**

**CURRENT RATING:**

- EIA-364-70A : 1998: INDIVIDUAL CONTACT IN ISOLATION AT 25°C = 2.8A MAX
- EIA-364-70A : 1998: ALL CONTACTS SIMULTANEOUSLY AT 25°C = 2.0A MAX

**CONTACT RESISTANCE:**

- EIA-364-06C : 2006: INITIAL CONTACT RESISTANCE = 20mΩ MAX
- EIA-364-06C : 2006: CONTACT RESISTANCE AFTER CONDITIONING = 25mΩ MAX

**WORKING VOLTAGE:**

- EIA-364-20C : 2004: SEA LEVEL (1006mbar) = 450V AC/DC PEAK
- EIA-364-20C : 2004: ALTITUDE LEVEL (44mbar) = 250V AC/DC PEAK

VOLTAGE PROOF AT SEA LEVEL (1013mbar) = 600V AC/DC PEAK

**INSULATION RESISTANCE:**

- EIA-364-21C : 2000: INSULATION RESISTANCE (INITIAL) = 10 GΩ MIN AT 500V DC
- EIA-364-21C : 2000: INSULATION RESISTANCE (AFTER CONDITIONING) = >1 GΩ MIN AT 500V DC

FOR FULL COMPONENT SPECIFICATION SEE C125XX (LATEST ISSUE).

**CONTACTS:**

MALE PC-TAIL/SMT = PHOSPHOR BRONZE  
MALE CRIMP = BRASS  
ALL FEMALE CONTACTS = COPPER ALLOY

**LATCHES:**

COPPER NICKEL TIN ALLOY

**BACK POTTING COMPOUND:**

STYCAST 2651 MM BACK POTTING = CATALYSY 9

**FINISH:**

ALL CONTACTS:  
0.2-0.3µ GOLD OVER NICKEL  
LATCHES:  
3.0µ 100% TIN OVER NICKEL

**MECHANICAL:**

DURABILITY = 1000 OPERATIONS  
INSERTION FORCE = 2.8N MAX  
WITHDRAWAL FORCE = 0.2N MIN

**ENVIRONMENTAL:**

CLASSIFICATION: 65/150/96 HOURS AT 95% RH

**TEMPERATURE RANGE:**

EIA-364-32 : 2000 TEST CONDITION IV, DWELL  
30mins, 5 CYCLES -65°C TO +150°C

\* EIA-364-28D : 1999: TEST CONDITION IV: VIBRATION SEVERITY:  
10Hz TO 2000Hz, 1.5MM, 198 mm/s<sup>2</sup> (20G). DURATION 2Hr

\* EIA-364-27B : 1996: TEST CONDITION E SHOCK SEVERITY: 981 mm/s<sup>2</sup>  
(100G) FOR 6ms IN Z AXIS, 490 mm/s<sup>2</sup> (50G) FOR 11ms IN X&Y AXIS.



PATENT PENDING - UK 1205109.0

SF	05.11.12	11860
NAME	DATE	C/NOTE
APPROVED:		S.FLOWER
CHECKED:		M.PLESTED
DRAWN:		S.FLOWER

**HARWIN**

www.harwin.com  
technical@harwin.com

THIS DRAWING AND ANY INFORMATION OR DESCRIPTIVE MATTER SET OUT HEREON ARE CONFIDENTIAL AND COPYRIGHT PROPERTY OF THE HARWIN GROUP AND MUST NOT BE DISCLOSED, LOANED, COPIED OR USED FOR MANUFACTURING, TENDERING OR FOR ANY OTHER PURPOSE WITHOUT THEIR WRITTEN PERMISSION.

**TOLERANCES**  
X = ±1mm  
X.X = ±0.25mm  
X.XX = ±0.10mm  
X.XXX = ±0.01mm  
ANGLES = ±5°  
UNLESS STATED

**MATERIAL:**

SEE ABOVE

**FINISH:**

SEE ABOVE

**TITLE:**

G125 SERIES COMPONENT SPECIFICATION

**DRAWING NUMBER:**

G125-SERIES CONNECTORS

SHT  
3  
OF  
3