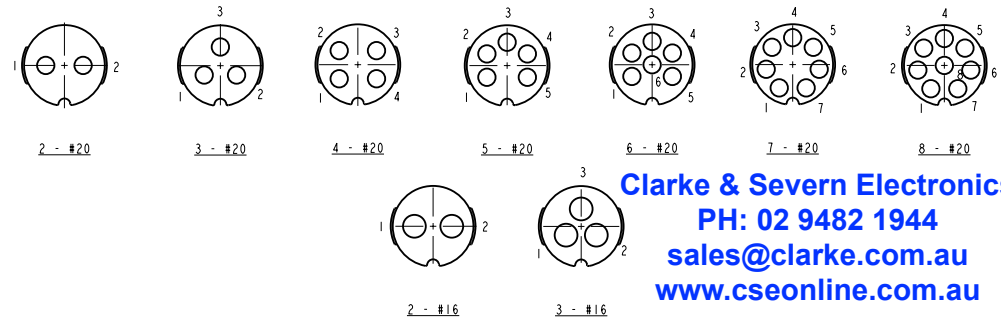
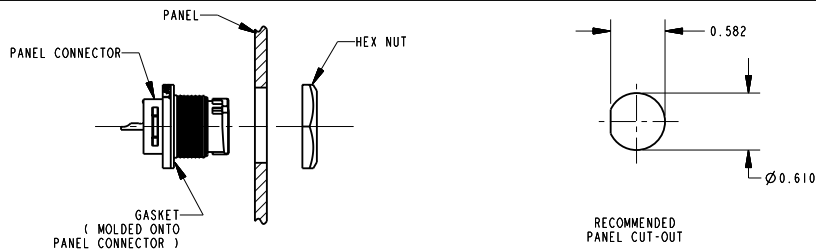


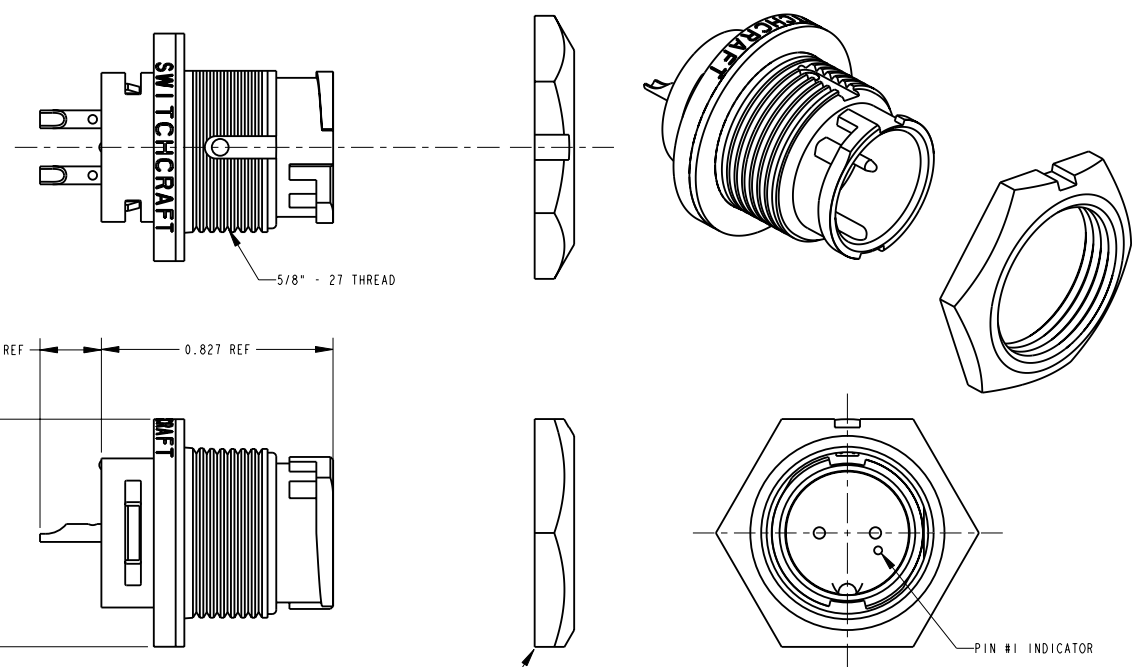
SWITCHCRAFT PANEL CONNECTOR ASSEMBLY INSTRUCTIONS



Clarke & Severn Electronics
 PH: 02 9482 1944
 sales@clarke.com.au
 www.cseonline.com.au

CONTACT ARRANGEMENT

SHOWN ARE REAR VIEWS OF MALE PANEL CONNECTORS



SPECIFICATIONS

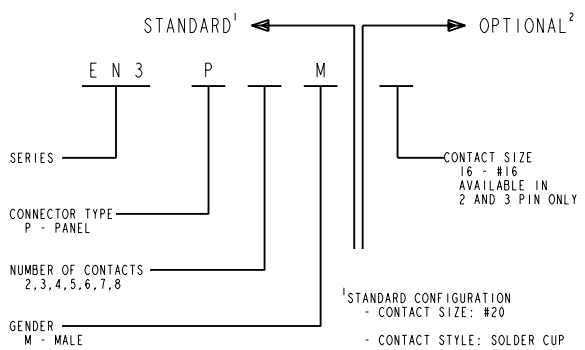
MECHANICAL:
 SHOCK: MIL-STD 202 METHOD 213B, COND. K.
 VIBRATION: MIL-STD 202 METHOD 201
 LIFE: 300 INSERTION/WITHDRAWAL CYCLES (MINIMUM)

ELECTRICAL:
 DIELECTRIC WITHSTANDING VOLTAGE: 1,000 VAC
 INSULATION RESISTANCE: 100 MEGOHMS (MIN) AT 77°F
 CONTACT RESISTANCE: 5.0 MILLIOHMS MAX.
 CURRENT RATING: 7.5 AMPS (#20 CONTACT)
 6.5 AMPS (7 & 8 PIN #20 CONTACT)
 13.0 AMPS (#16 CONTACT)

ENVIRONMENTAL:
 TEMPERATURE LIMITS: -40°C TO +65°C (NON-OPERATING)
 MOISTURE RESISTANCE: MIL-STD 202 METHOD 106F
 INSULATION RESISTANCE: MIL-STD 202 METHOD 302, COND. B
 THERMAL SHOCK: MIL-STD 202 METHOD 107G
 SALT SPRAY: MIL-STD 202 METHOD 101D, COND. B
 WATER TIGHTNESS TEST: U.S. COAST GUARD CFR 46 PART 110.20

- NOTES:**
- HEX NUT TORQUE: 8 TO 10 INCH-LBS. OF TORQUE (MUST NOT EXCEED 10 INCH-LBS.)
 - HEX NUT SHIPPED UNASSEMBLED.

MATERIALS:
 PANEL CONNECTOR SHELL, CONTACT LOCKING DISC: THERMOPLASTIC POLYMER GLASS FIBER, FLAME RETARDANT
 CONNECTOR SHELL INTERIOR: THERMOPLASTIC RUBBER
 CONTACTS: COPPER BASE ALLOY GOLD-PLATED OVER NICKEL UNDERPLATE
 HEX NUT: THERMOPLASTIC



- ¹STANDARD CONFIGURATION
 - CONTACT SIZE: #20
 - CONTACT STYLE: SOLDER CUP
 - CONTACT PLATING: GOLD
 - CONTACTS FACTORY INSTALLED
 - PACKAGED IN BULK
- ²OPTIONAL CONFIGURATION
 - LEAVE BLANK FOR STANDARD CONFIGURATION

REV	ECO NUMBER	DATE	BY	APVD	REVISIONS
G	24661	3-4-04	JL	EB	
F	23595	2-6-01	JL	DK	
E	22232	4-30--98	SG	RB	
D	ECO #21461	12-2-96	MM	FL	
C	ECO #19815	10-9-95	RC	KS	
B	FIRST DRAWN	1-28-95	SG	FL	

THIS DRAWING DESCRIBES A DESIGN CONSIDERED PROPRIETARY IN NATURE, DEVELOPED AND MANUFACTURED BY SWITCHCRAFT INC. AND IS RELEASED ON A CONFIDENTIAL BASIS FOR IDENTIFICATION PURPOSES ONLY.					
SIZE	WIDTH	MULT	LBS/M	TEMPER	
FINISH SPEC No.			MATERIAL SPEC No.		
FIRST USED ON			SCALE 3:1		
DATE DRAWN	BY	CHKD	APVD		
1-28-95	SG	2-27-95	2-27-95		
NAME MALE PANEL CONNECTORS EN3P_M SERIES			PART No. EN3P_M		
SHEET OF					REV G