

# MATERIALS & SPECIFICATIONS

|          |            |     |       |          |     |
|----------|------------|-----|-------|----------|-----|
| PART NO. | A29200-015 | REV | ECO   | DATE     | APP |
|          |            | G   | 96466 | 01-30-10 | TLM |

**HOUSING:**  
ALUMINUM 6061-T6, NICKEL  
PLATE PER AMS-C-26074

**INSULATOR:**  
LIQUID CRYSTAL POLYMER (LCP)  
PER ASTM D5138

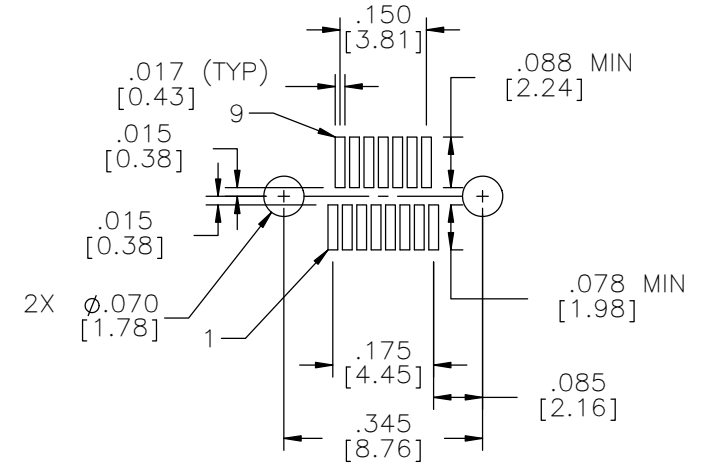
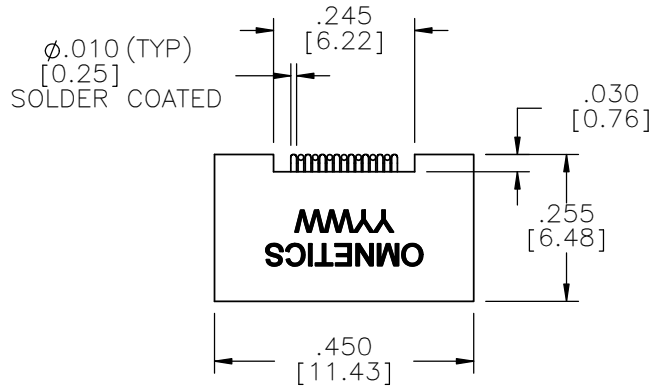
**CONTACTS:**  
COPPER ALLOY PER MIL-DTL-  
32139, GOLD PLATED PER ASTM  
B488, (HARD GOLD) TYPE II  
CODE C, CLASS 1.27

**TERMINATION:**  
SOLDER COATED WITH SN63A  
PER J-STD-006

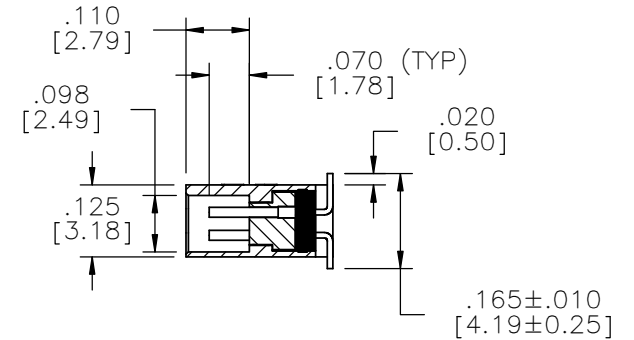
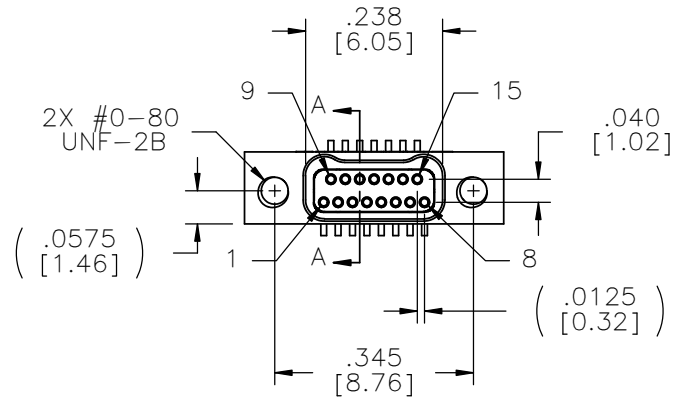
**CURRENT RATING:**  
1 AMP MAX PER MIL-DTL-32139

**CONTACT RESISTANCE:**  
71 MILLIOHM MAX (71mV DROP  
MAX) @ 1.0 AMPS PER MIL-  
DTL-32139

**PERFORMANCE:**  
PRODUCT FAMILY TESTED TO AND  
PASSED THE PERFORMANCE  
SPECIFICATIONS OF TABLE VIII OF  
MIL-DTL-32139



SUGGESTED PAD LAYOUT



SECTION A-A



ACTUAL SIZE

|       |                             |  |          |                    |                 |
|-------|-----------------------------|--|----------|--------------------|-----------------|
| MINSO | THIRD ANGLE $\phi$ $\equiv$ | THIS DRAWING CONTAINS CONFIDENTIAL AND PROPRIETARY INFORMATION WHICH IS THE PROPERTY OF OMNETICS CONNECTOR CORP. THIS DOCUMENT MAY NOT, IN WHOLE OR IN PART, BE DUPLICATED, OR DISCLOSED FOR ANY PURPOSE, WITHOUT WRITTEN PERMISSION FROM OMNETICS CONNECTOR CORP. | DATE     | TITLE:             | CAGE CODE 61873 |
|       | -TOLERANCES-                |  |          |                    |                 |
| MCTD  | UNLESS OTHERWISE NOTED      |  | 05-10-04 | Bi-Lobe® CONNECTOR | A29200-015      |
|       | DIMENSIONS IN INCHES        | DFTM. AAS  | DATE     |                    | SHEET 1 OF 1    |
|       | 2 PL DEC ± .01              | CHK'D.   | DATE     |                    | REV             |
|       | 3 PL DEC ± .005             | APP'D.   | DATE     |                    | G               |
|       | 4 PL DEC ± .0005            |  |          |                    | SCALE: 3:1      |
|       | ANGLES ± 1°                 |  |          |                    |                 |

**OMNETICS**  
CONNECTOR CORPORATION  
7260 COMMERCE CIRCLE EAST  
MINNEAPOLIS, MN 55432  
WWW.OMNETICS.COM