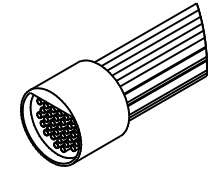


MATERIALS & SPECIFICATIONS

PART NO.	A 22396-001	REV	ECO	DATE	APP
		A	103388	04-13-17	TLM

INSULATOR: LIQUID CRYSTAL POLYMER (LCP) PER ASTM D5138.
 CONTACT: COPPER ALLOY PER MIL-DTL-83513. GOLD PLATED PER ASTM B488, (HARD GOLD) TYPE II CODE C CLASS 1.27.
 TERMINATION: 26 AWG (7-34) TYPE E. PER NEMA HP3, COLOR CODED PER TABLE
 CURRENT CAPACITY 3 AMP MAX.
 CONTACT RESISTANCE 26 MILLIOHMS (65mV) MAX @ 2.5 AMPS.
 PERFORMANCE: PRODUCT FAMILY TESTED TO AND PASSED THE PERFORMANCE SPECIFICATIONS OF TABLE VII OF MIL-DTL-83513.

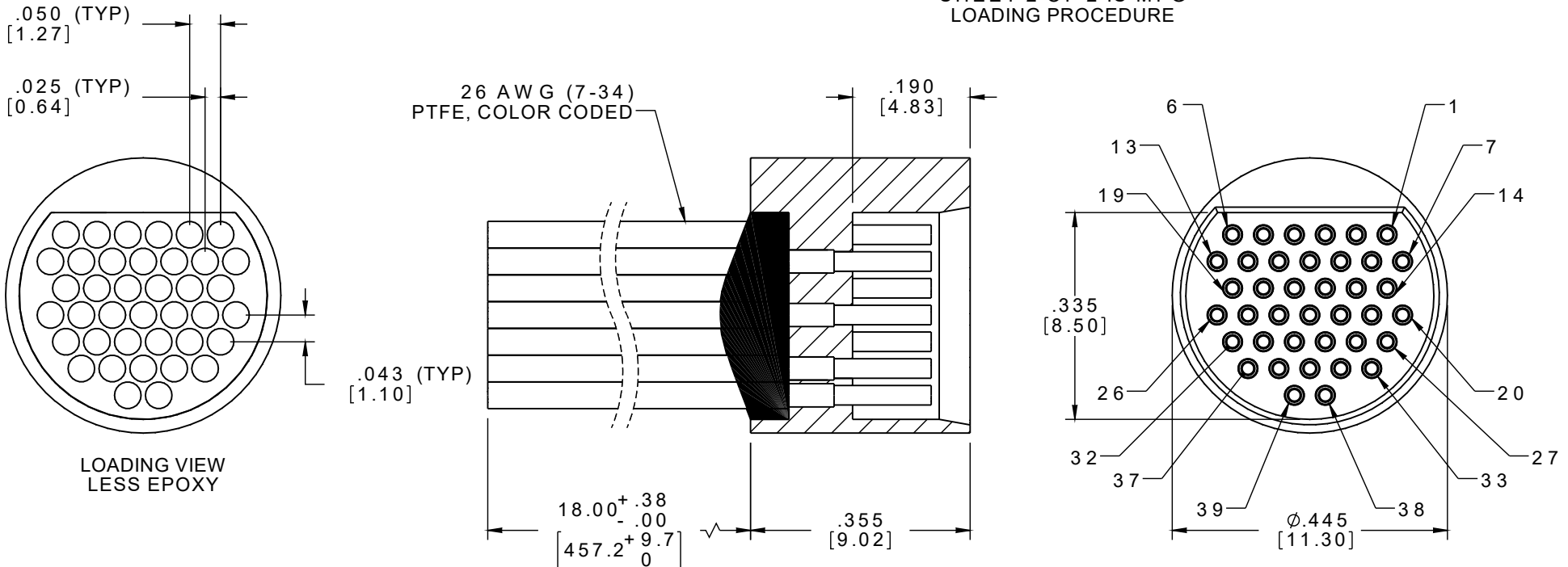
SOCKET #	COLOR
1, 11, 21, 31	BLACK
2, 12, 22, 32	BROWN
3, 13, 23, 33	RED
4, 14, 24, 34	ORANGE
5, 15, 25, 35	YELLOW
6, 16, 26, 36	GREEN
7, 17, 27, 37	BLUE
8, 18, 28, 38	VIOLET
9, 19, 29, 39	GRAY
10, 20, 30	WHITE



ACTUAL SIZE EXCLUDING WIRE LENGTH

Clarke & Severn Electronics
 PH: 02 9482 1944
 sales@clarke.com.au
 www.cseonline.com.au

INTERNAL USE ONLY
 SHEET 2 OF 2 IS MFG
 LOADING PROCEDURE



NOTE:

DIMENSIONS IN [] ARE IN MILLIMETERS UNLESS OTHERWISE NOTED AND ARE FOR REFERENCE ONLY

MCS	THIRD ANGLE	THIS DRAWING CONTAINS CONFIDENTIAL AND PROPRIETARY INFORMATION WHICH IS THE PROPERTY OF OMNETICS CONNECTOR CORPORATION. THIS DOCUMENT MAY NOT, IN WHOLE OR IN PART, BE DUPLICATED, OR DISCLOSED FOR ANY PURPOSE, WITHOUT WRITTEN PERMISSION FROM OMNETICS CONNECTOR CORP.		OMNETICS	CAGE CODE 61873
	-TOLERANCES- UNLESS OTHERWISE NOTED		DFTM. WLE		DATE 10-08-14
SLDW	DIMENSIONS IN INCHES		DATE	TITLE: (39) SOCKET FEMALE MICRO CIRCULAR CONNECTOR	SHEET 1 OF 2
	2 PL DEC ± .01	3 PL DEC ± .005	DATE	APP'D.	REV A
	4 PL DEC ± .0005	ANGLES ± 1°	DATE		SCALE: 4:1

CONNECTOR CORPORATION
 7260 COMMERCE CIRCLE EAST
 MINNEAPOLIS, MN 55432
 WWW.OMNETICS.COM

RoHS