

PART NO.	A22388-001	REV	ECO	DATE	APP
		A	103388	04-13-17	TLM

MATERIAL & SPECIFICATIONS

INSULATOR:
LIQUID CRYSTAL POLYMER (LCP) PER ASTM D5138.

CONTACT:
BERYLLIUM COPPER PER ASTM B194, C17200. GOLD PLATED PER ASTM B488, (HARD GOLD) TYPE II CODE C CLASS 1.27.

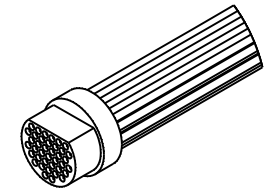
TERMINATION:
26 AWG (7-34) TYPE E PER NEMA HP3, COLOR CODED PER TABLE.

CURRENT CAPACITY:
3 AMP MAX.

CONTACT RESISTANCE:
26 MILLIOHMS (65 mv) MAX @ 2.5 AMPS

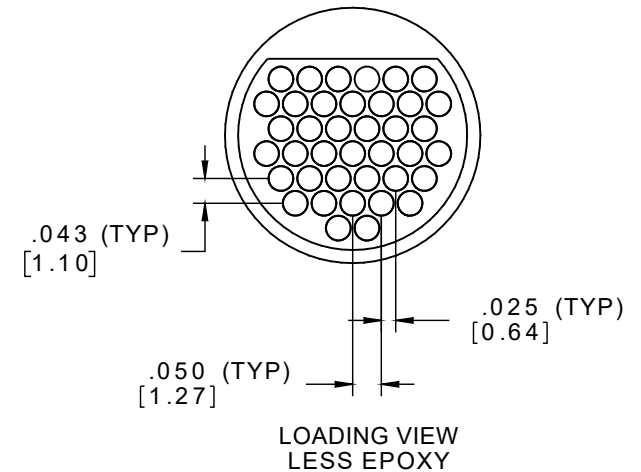
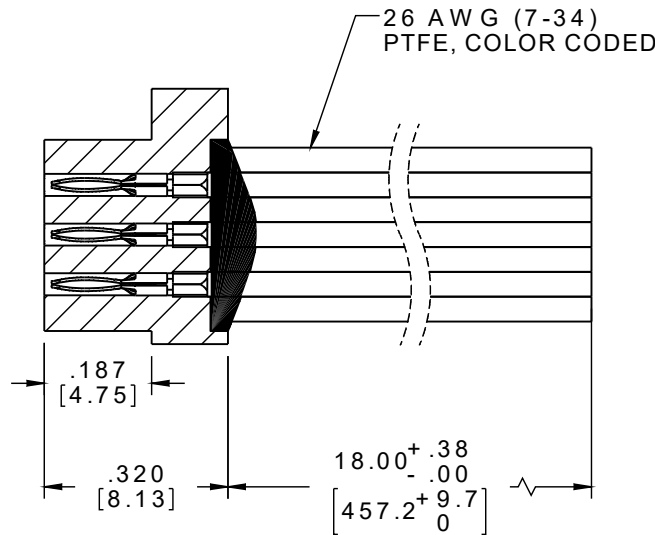
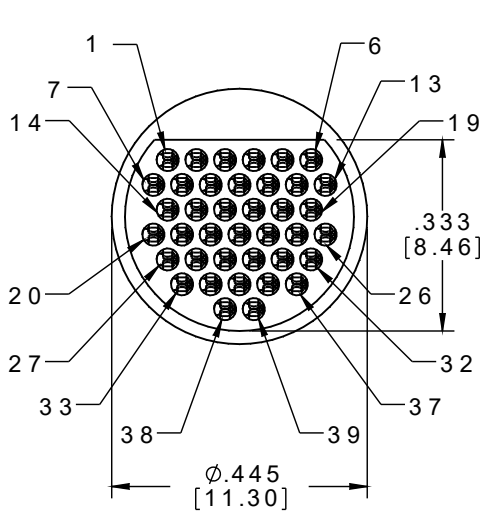
PERFORMANCE:
PRODUCT FAMILY TESTED TO AND PASSED THE PERFORMANCE SPECIFICATIONS OF TABLE VII OF MIL-DTL-83513

PIN #	COLOR
1, 11, 21, 31	BLACK
2, 12, 22, 32	BROWN
3, 13, 23, 33	RED
4, 14, 24, 34	ORANGE
5, 15, 25, 35	YELLOW
6, 16, 26, 36	GREEN
7, 17, 27, 37	BLUE
8, 18, 28, 38	VIOLET
9, 19, 29, 39	GRAY
10, 20, 30	WHITE



ACTUAL SIZE EXCLUDING WIRE LENGTH

INTERNAL USE ONLY
SHEET 2 OF 2 IS MFG
LOADING PROCEDURE



Clarke & Severn Electronics
PH: 02 9482 1944
sales@clarke.com.au
www.cseonline.com.au

RoHS

NOTE:
DIMENSIONS IN [] ARE IN MILLIMETERS UNLESS OTHERWISE NOTED AND ARE FOR REFERENCE ONLY

MCP SIDW	THIRD ANGLE
	-TOLERANCES-
	UNLESS OTHERWISE NOTED
	DIMENSIONS IN INCHES
	2 PL DEC ± .01
	3 PL DEC ± .005
	4 PL DEC ± .0005
	ANGLES ± 1°

THIS DRAWING CONTAINS CONFIDENTIAL AND PROPRIETARY INFORMATION WHICH IS THE PROPERTY OF OMNETICS CONNECTOR CORP. THIS DOCUMENT MAY NOT, IN WHOLE OR IN PART, BE DUPLICATED, OR DISCLOSED FOR ANY PURPOSE, WITHOUT WRITTEN PERMISSION FROM OMNETICS CONNECTOR CORP.	
DFTM. WLE	DATE 10-08-14
CHK'D.	DATE
APP'D.	DATE
TITLE: (39) PIN MALE MICRO CIRCULAR CONNECTOR	

OMNETICS
CONNECTOR CORPORATION
7260 COMMERCE CIRCLE EAST
MINNEAPOLIS, MN 55432
WWW.OMNETICS.COM

CAGE CODE 61873
DWG NO. A22388-001
SHEET 1 OF 2
SCALE: 3:1
REV A