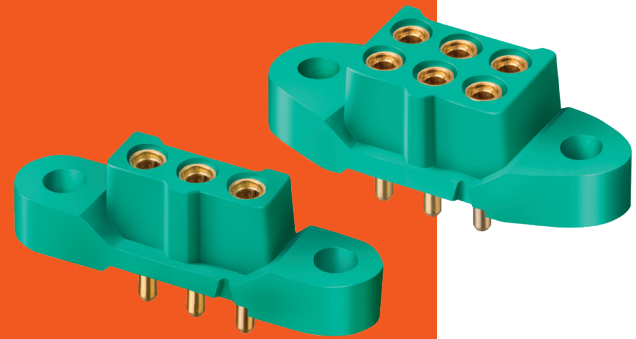


# M300 Connectors

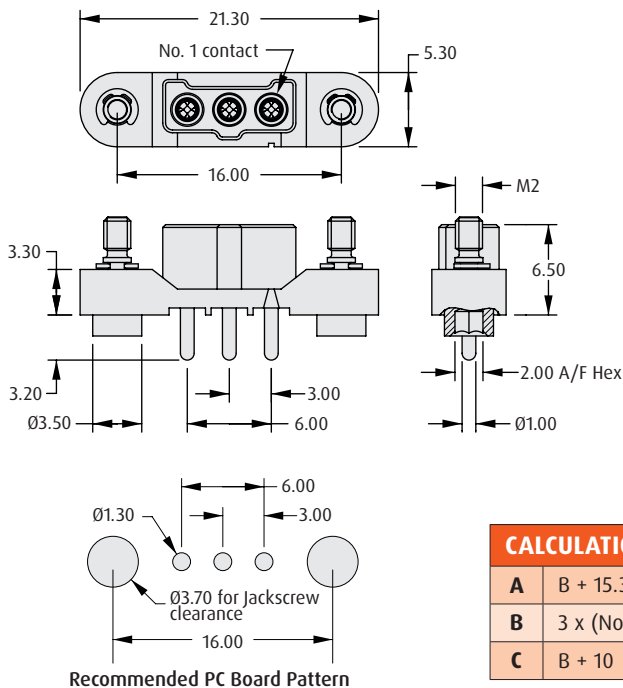
## Female Throughboard

- ❖ 4-finger Beryllium Copper contact.
- ❖ Positive keyway polarization features.
- ❖ 10A current capacity, resists high vibration and shock.
- ❖ Withstands extremes of temperature: -65°C to +175°C.
- ❖ Scoop-proof contacts.
- ❖ No. 1 position ident on housing.

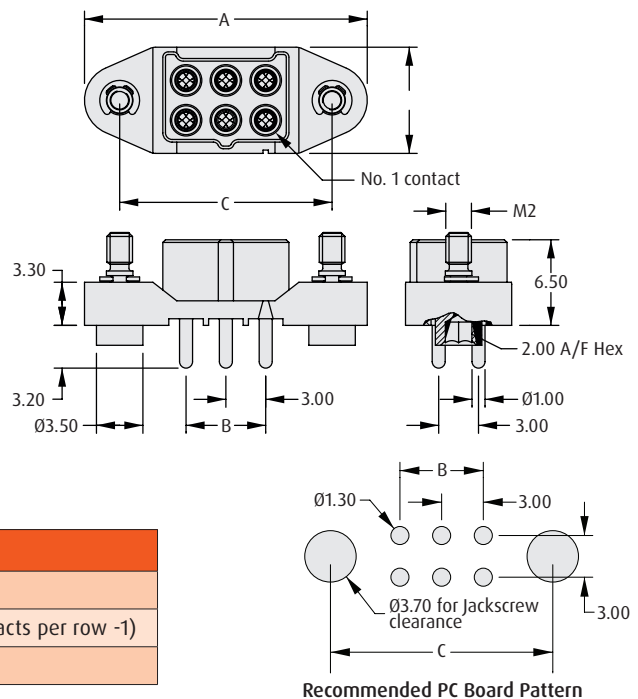


M300

### SINGLE ROW



### DOUBLE ROW



| CALCULATION |                                  |
|-------------|----------------------------------|
| A           | B + 15.3                         |
| B           | 3 x (No. of contacts per row -1) |
| C           | B + 10                           |

### HOW TO ORDER

**M300 - F VX XX 45 XX**

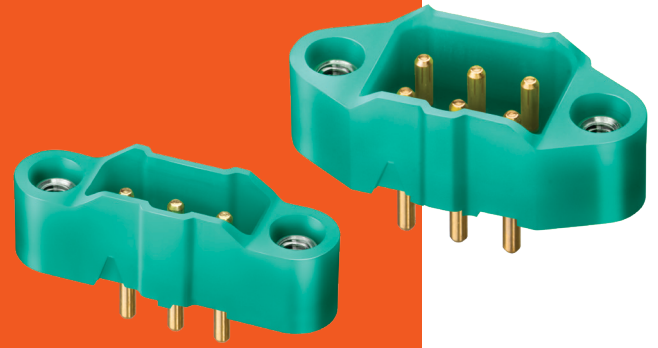
|                    |                                |                              |  |
|--------------------|--------------------------------|------------------------------|--|
| <b>SERIES CODE</b> | M300                           | <b>TYPE</b>                  | XX   |
| <b>GENDER</b>      | F                              | <b>TYPE</b>                  | 00 No Jackscrew<br>F2 Hex Socket Jackscrew |
| <b>TYPE</b>        | VX                             | <b>FINISH</b>                | 45 Gold                                    |
| <b>TYPE</b>        | V1 Single Row<br>V3 Double Row | <b>TOTAL NO. OF CONTACTS</b> | 03 Single Row<br>06, 10 Double Row         |

All dimensions in mm.

# M300 Connectors

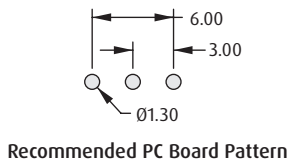
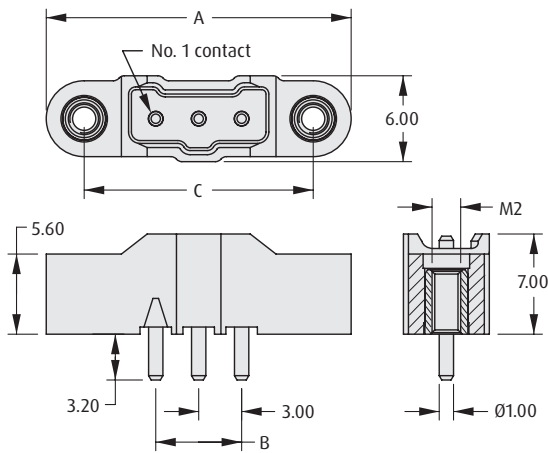
## Male Throughboard

- 10A current capacity, resists high vibration and shock.
- Withstands extremes of temperature: -65°C to +175°C.

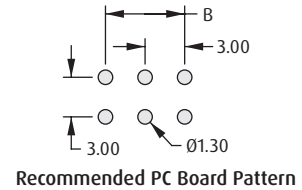
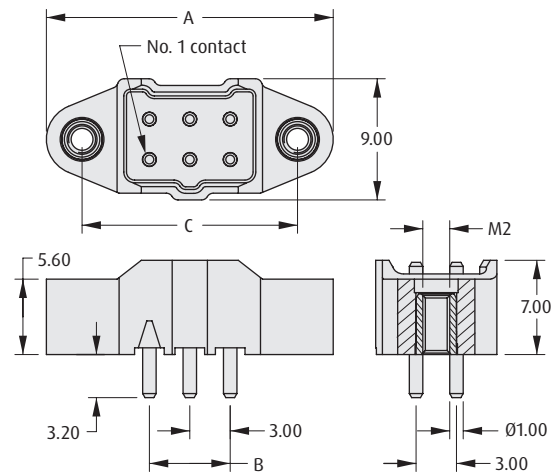


M300

### SINGLE ROW



### DOUBLE ROW



| CALCULATION |   |
|-------------|---|
| <b>A</b>    | $B + 15.3$                                      |
| <b>B</b>    | $3 \times (\text{No. of contacts per row} - 1)$ |
| <b>C</b>    | $B + 10$  |

### HOW TO ORDER

**M300 - M VX XX 45 M1**

**SERIES CODE**

**GENDER**

**M** Male

**TYPE**

**V1** Single Row  
**V3** Double Row

**TYPE**

**M1** Jackscrew

**FINISH**

**45** Gold

**TOTAL NO. OF CONTACTS**

**03** Single Row  
**06, 10** Double Row

All dimensions in mm.